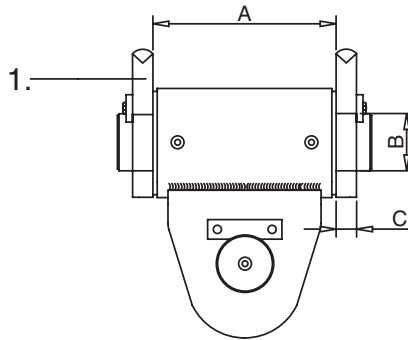
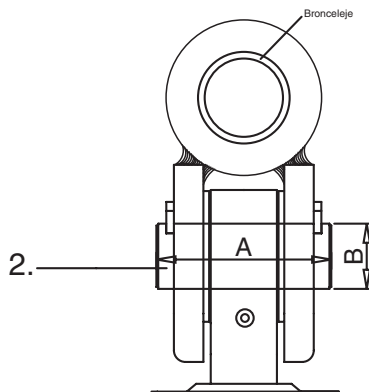


Mont. plade mellem
kardankryds & skibs-
konstruktion
Mounting plates be-
tween hinge suspension
& shipconstruction

Blok vare nr. Block part no. Pasteca art. no.	SWL	A	B	C
	5:1	mm	mm	mm
K370-2	13,0t	227	78,6	30
K400-2	15,0t	227	78,6	30
K500-2	20,0t	312	78,6	30
K600-2	30,0t	312	106	40
K650-2	30,0t	312	106	40
K800-2	40,0t	400	106	50
K1000-2	60,0t	400	125	60

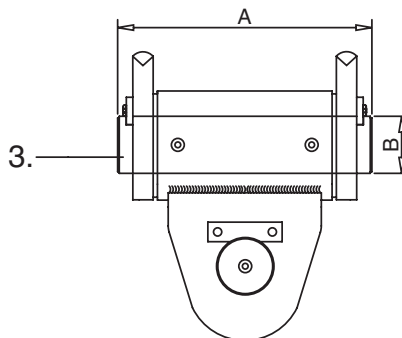


Blok vare nr. Block part no. Pasteca art. no.	SWL	A	B
	5:1	mm	mm
K370-2	13,0t	180	78
K400-2	15,0t	180	78
K500-2	20,0t	192	78
K600-2	30,0t	248	105
K650-2	30,0t	248	105
K800-2	40,0t	268	105
K1000-2	60,0t	368	124



Bolt for blokøje
Pin for blockeye

Blok vare nr. Block part no. Pasteca art. no.	SWL	A	B
	5:1	mm	mm
K370-2	13,0t	327	78
K400-2	15,0t	327	78
K500-2	20,0t	412	78
K600-2	30,0t	442	105
K650-2	30,0t	442	105
K800-2	40,0t	550	105
K1000-2	60,0t	570	124



Bolt for kardankryds
Pin for hinge suspension