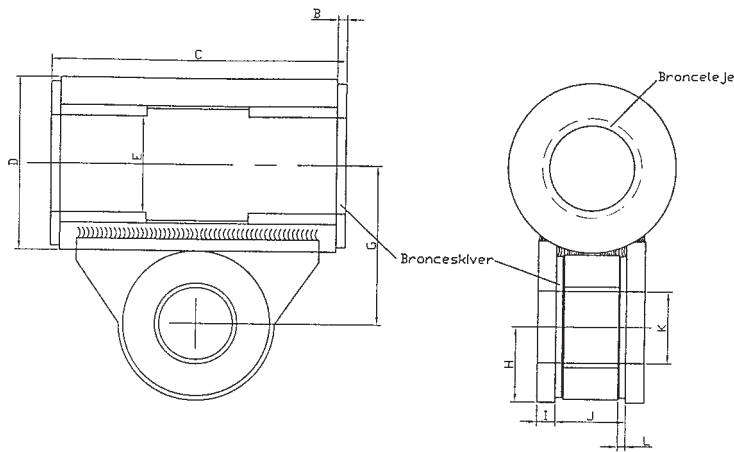


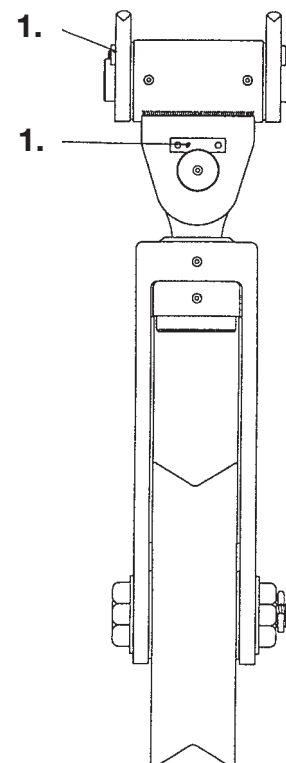
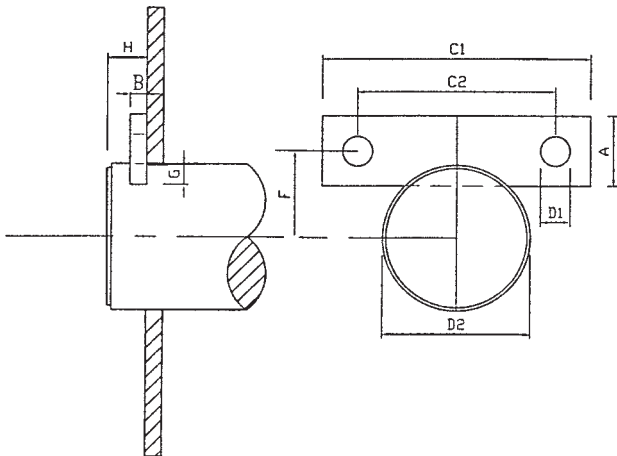
Kardanophæng
Hinge suspension



Blok vare nr. Block part no. Pasteca art. no.	SWL	A	B	C	D	E	G	H	I	J	K	L	Vægt Weight Peso	Bolt dia.
		mm	mm	mm	mm	mm	mm	mm	mm	mm	mm	mm	kg	mm
K 370-2	13,0t	215	4	223	160	78,6	170	80	30	74	78,6	0	65	78
K 400-2	15,0t	215	4	223	160	78,6	170	80	30	74	78,6	0	65	78
K 500-2	20,0t	300	4	308	160	78,6	185	80	30	80	78,6	4	80	78
K 600-2	30,0t	300	4	308	234	106,0	230	110	40	110	106,0	4	103	105
K 650-2	30,0t	300	4	308	234	106,0	230	110	40	110	106,0	4	103	105
K 800-2	40,0t	380	8	396	234	106,0	230	110	50	110	106,0	4	123	105
K 1000-2	60,0t	380	8	396	275	125,0	260	135	60	170	125,0	4	120	124

Låseplader m/bolte
Lockplate w/bolts

Rustfri
Stainless steel



Blok no.	A	B	C ₁	C ₂	D ₁	D ₂	F	G	H
	mm	mm	mm	mm	mm	mm	mm	mm	mm
K 370	40	10	140	100	17	78	47,0	12	22
K 400	40	10	140	100	17	78	47,0	12	22
K 500	40	10	140	100	17	78	47,0	12	22
K 600	50	12	190	140	21	105	62,5	15	25
K 650	50	12	190	140	21	105	62,5	15	25
K 800	50	15	190	140	21	105	62,5	15	35
K 1000	50	15	190	140	21	124	70,5	16,5	35

K19A