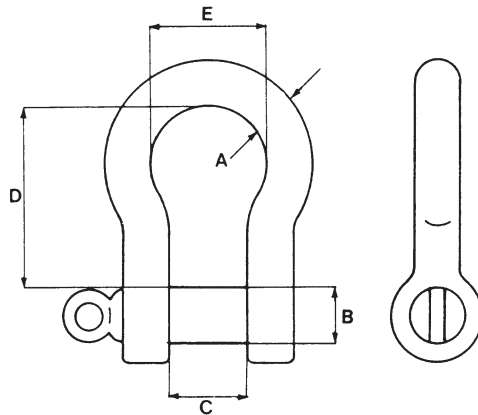


Sjækler
Rustfri stål
Type D

Shackles
Stainless steel
Dee type

Grilletes
Acero inoxidable
Tipo D

Vare nr. Part no. Parte no.	SWL 5:1 Ton	A mm	B mm	C mm	D mm	Vægt Weight Peso kg/100
F04DSS	0.12	4,0	4	8	14	1,0
F05DSS	0.20	5,0	5	10	18	2,0
F06DSS	0.28	6,0	6	12	21	4,0
F08DSS	0.50	8,0	8	16	28	7,0
F10DSS	0.80	9,5	10	20	35	11,0
F12DSS	1.10	12,0	12	24	42	25,0
F16DSS	2.00	16,0	16	32	58	40,0
F19DSS	3.00	20,0	20	38	66	60,0
F22DSS	4.00	22,0	22	44	77	90,0
F25DSS	5.00	25,0	25	50	88	110,0
F32DSS	6.40	32,0	32	64	112	240,0



Type H
Bow type
Tipo Lira

Vare nr. Part no. Parte no.	SWL 5:1 Ton	A mm	B mm	C mm	D mm	E mm	Vægt Weight Peso kg/100
F04HSS	0.12	4,0	4	8	16	14	1,0
F05HSS	0.20	5,0	5	10	20	17	2,0
F06HSS	0.28	6,0	6	12	24	21	4,0
F08HSS	0.50	8,0	8	16	32	28	7,0
F10HSS	0.80	9,5	10	20	40	34	7,0
F12HSS	1.10	12,0	12	24	48	42	25,0
F16HSS	2.00	16,0	16	32	58	56	40,0
F19HSS	3.00	20,0	20	38	66	65	60,0
F22HSS	4.00	22,0	22	44	77	77	90,0
F25HSS	5.00	25,0	25	50	88	87	110,0
F32HSS	6.40	32,0	32	64	112	112	240,0